

Euro Line Metal Detector

DETECTRONIC



- Made in Denmark
- IP 66 / IP 69K protection
- Advanced detection performance
- Tough, reliable and cost effective



www.detectronic.com

Euro Line

With the new **Detectronic EURO Line** metal detector we have combined the usual high level characteristics of our already well known and respected metal detectors and fitted it into a compact and reliable model still assuring constant quality and high production rates.

The **Detectronic EURO Line** is a stable and cost effective solution and comes with belt stop and acoustic & visual alarm as standard accessories.

The **Detectronic EURO Line** detects even the smallest metallic contaminants such as stainless steel, non-ferrous and ferrous metals.

The **Detectronic metal detectors** are made in Denmark. All machines leaving the factory are CE certified and comply fully with good manufacturing practices for food safety equipment.

The structure of the conveyers are in AISI 304 stainless steel and mounted with FDA approved plastic components (USDA compliant)

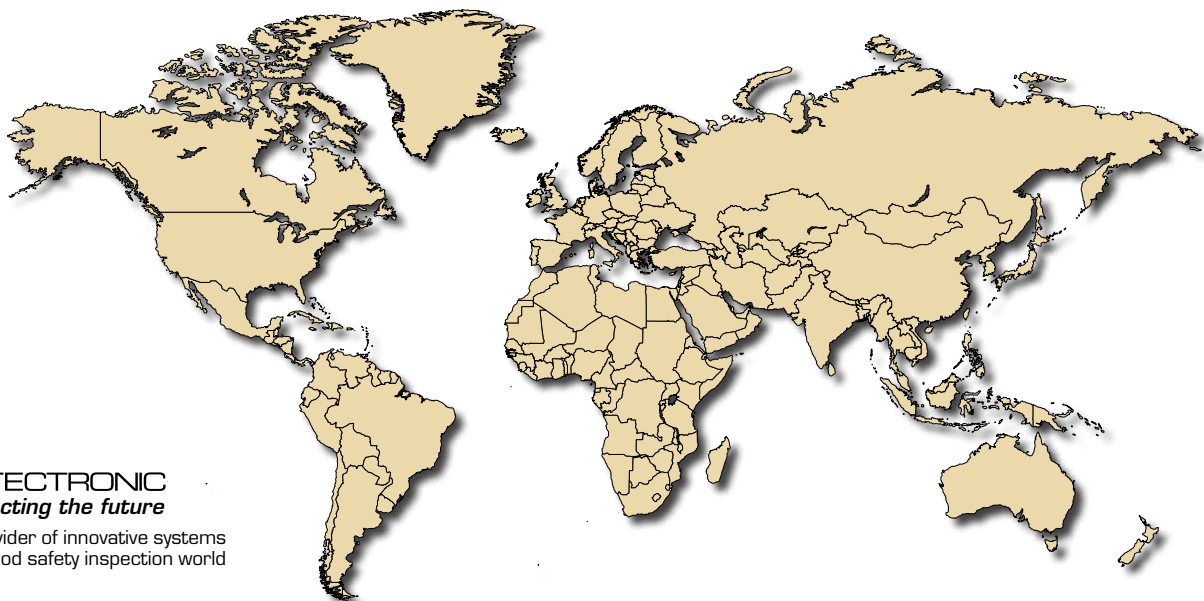
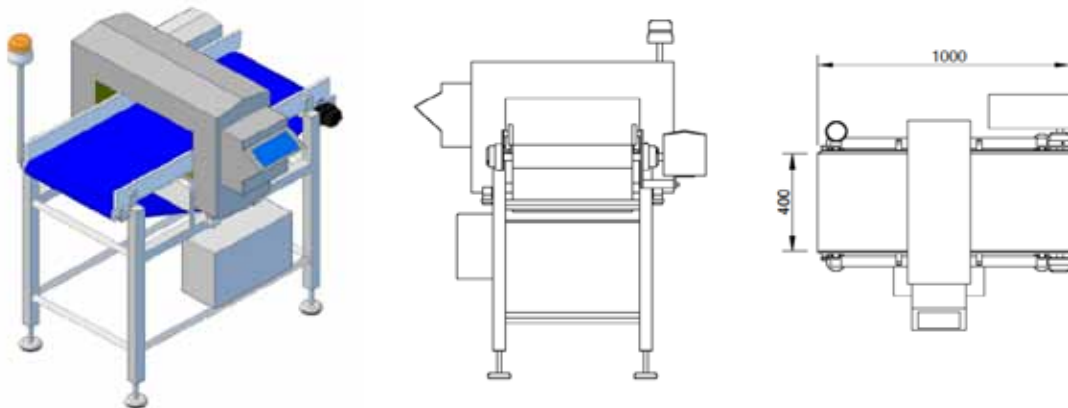
For any additional information about the **Detectronic EURO Line** please contact our Sales Team on: sales@detectronic.dk

TECHNICAL DATA

Head size (mm)		Belt Size (mm)		
H:	W:	L:	H:	W:
100	250	1000	850 +/- 50	200
150	350	1000	850 +/- 50	300
200	450	1000	850 +/- 50	400

Including

- Memory of 100 products
- IP 66 / IP 69K - NEMA 4X
- Super Sensitive SW
- Belt stop
- Visual Alarm
- Acoustic Alarm
- FDA Approved blue modular/flat belt
- Left -> right / Right -> left
- Variable Speed 0 - 25 m /min



DETECTRONIC
- detecting the future

- provider of innovative systems
for food safety inspection world
wide.

DETECTRONIC

Detectronic A/S • Roejbaekvej 3 • DK-9640 Farso

Phone: +45 96 66 30 60 • Fax: +45 98 63 18 44 • sales@detectronic.dk

www.detectronic.com